



## Halloween Pumpkin coasters, name cards

Cut the pumpkin shapes (orange) and the mouth and eyes (blue) from the craft foams, based on the guide. Glue the mouth and the eyes on one side of the pumpkin shape. With pen, you can draw the auxiliary lines as shown in the drawing. On the other side of the pumpkin shape, write the name with a pencil, and decorate it with rhinestones or confetti.

### Take from the PepMelon Jumbo Box:

- 2 craft foam (orange and blue)
- 5-10 rhinestones or confetti

It is that simple!

You can use it as a decoration or a coaster on the table, but also a perfect name card!

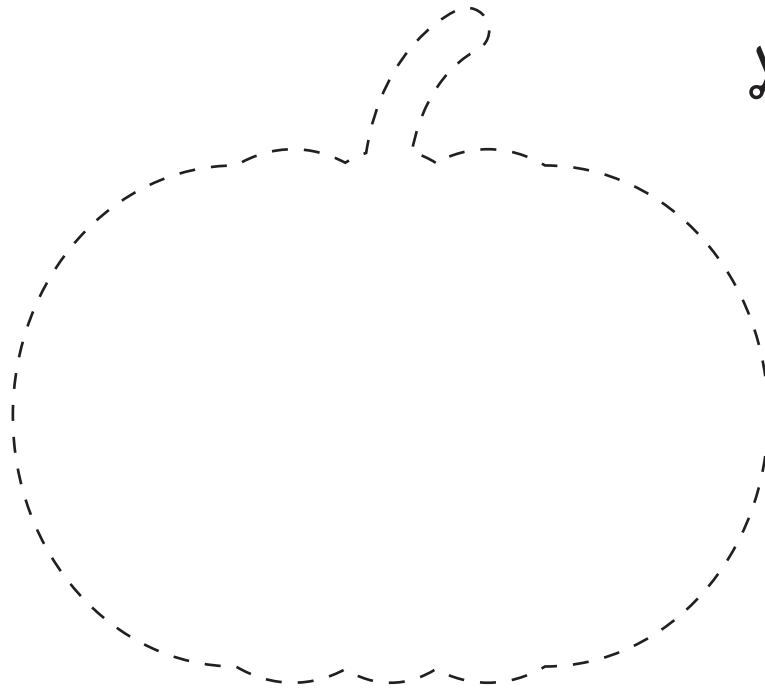






Drawing guide on second page!

### Techniques:



# Pumpkin



-   2x
-  5x
-  5x

